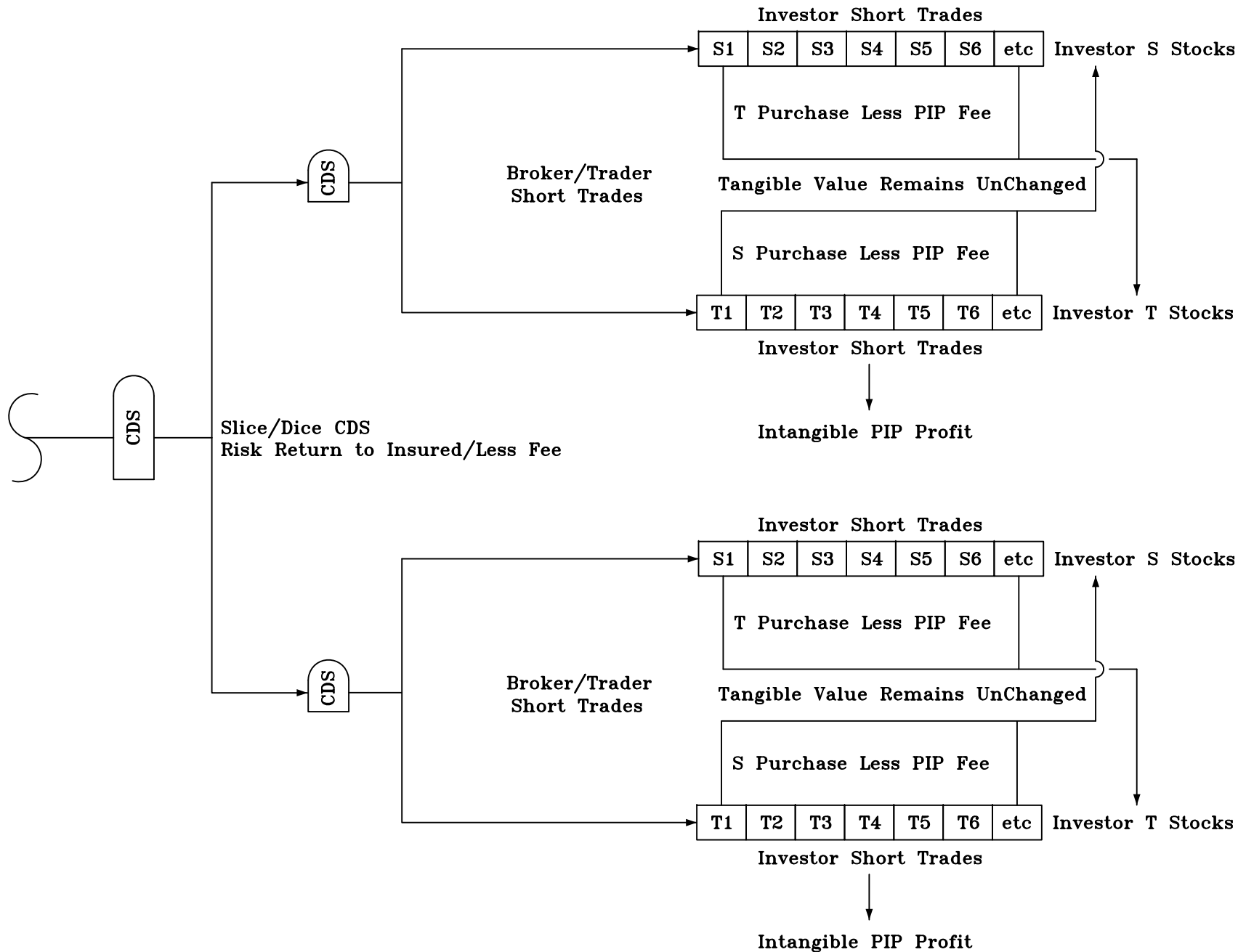
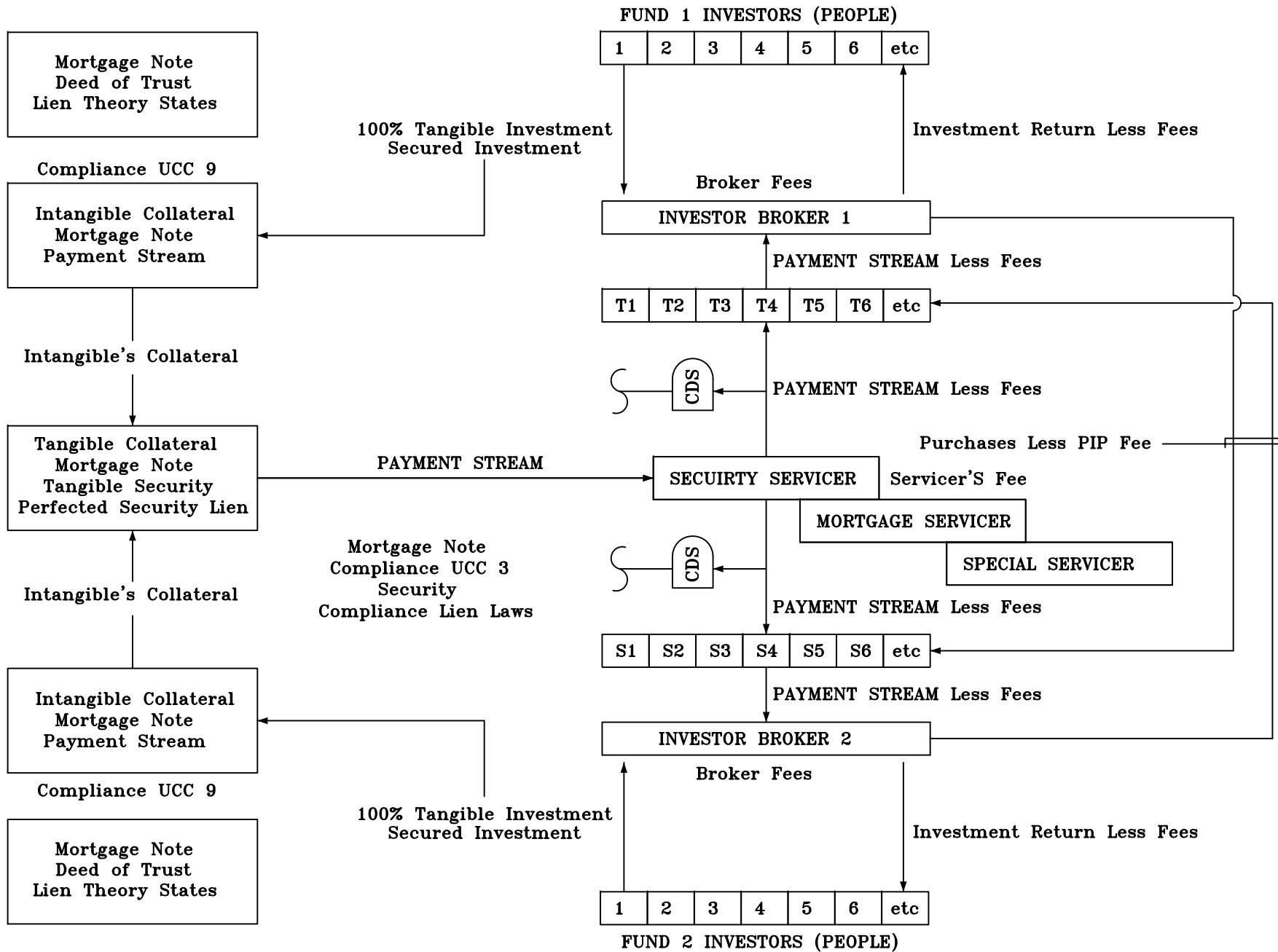


Tangible Market		PIP Fee's	
Tangible From the Farm to the PIP Profiteers			
USED ON Everybody	DATE Past	SCALE Titanic	<b>United States Gross Domestic Product Boilermaker</b>
FOR Everybody	Present	DIMENSIONS Gigantic	
DR. Everybody	Hope Not Future	FILE: Jail 101	
SUPERSEDES LAW's		Design: Fraud 101	



Transparency Scale: NONE  
 Fraud Factor: Exponential

Credit Default Swap Market		PIP Fee's (SHORTS)	
Intangible PIP Profit			
USED ON Investors	DATE Past	<b>United States Secondary Market PIP PROFIT</b>	SCALE Titanic
FOR Traders	Present		DIMENSIONS Gigantic
DR. Everybody	Hope Not Future		FILE: Jail 201
SUPERSEDES	LAW's		Design: Fraud 201

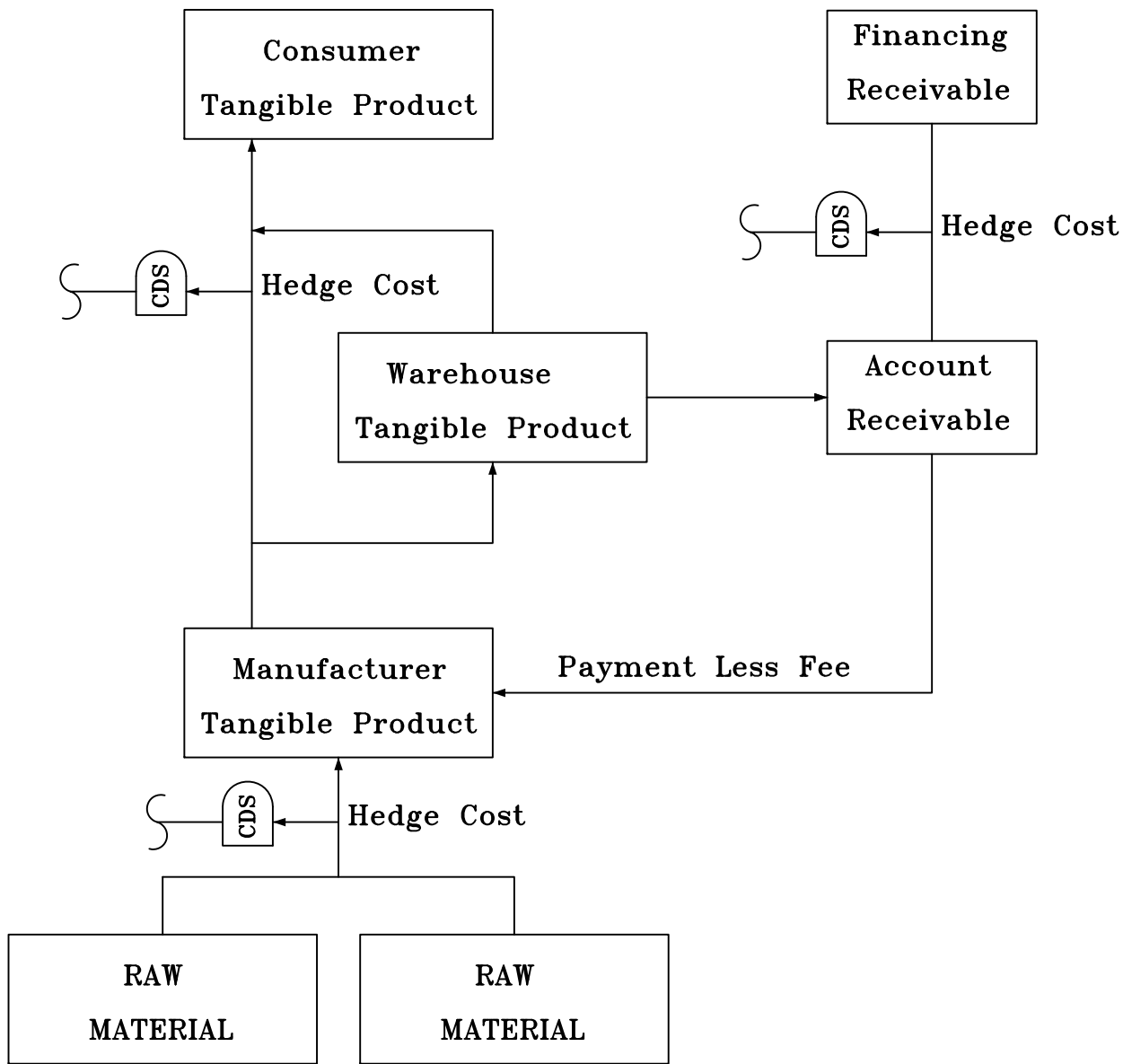


# MORTGAGE BACKED SECURITIES (MERS)

## TANGIBLE SECURITY STATUS: NONE

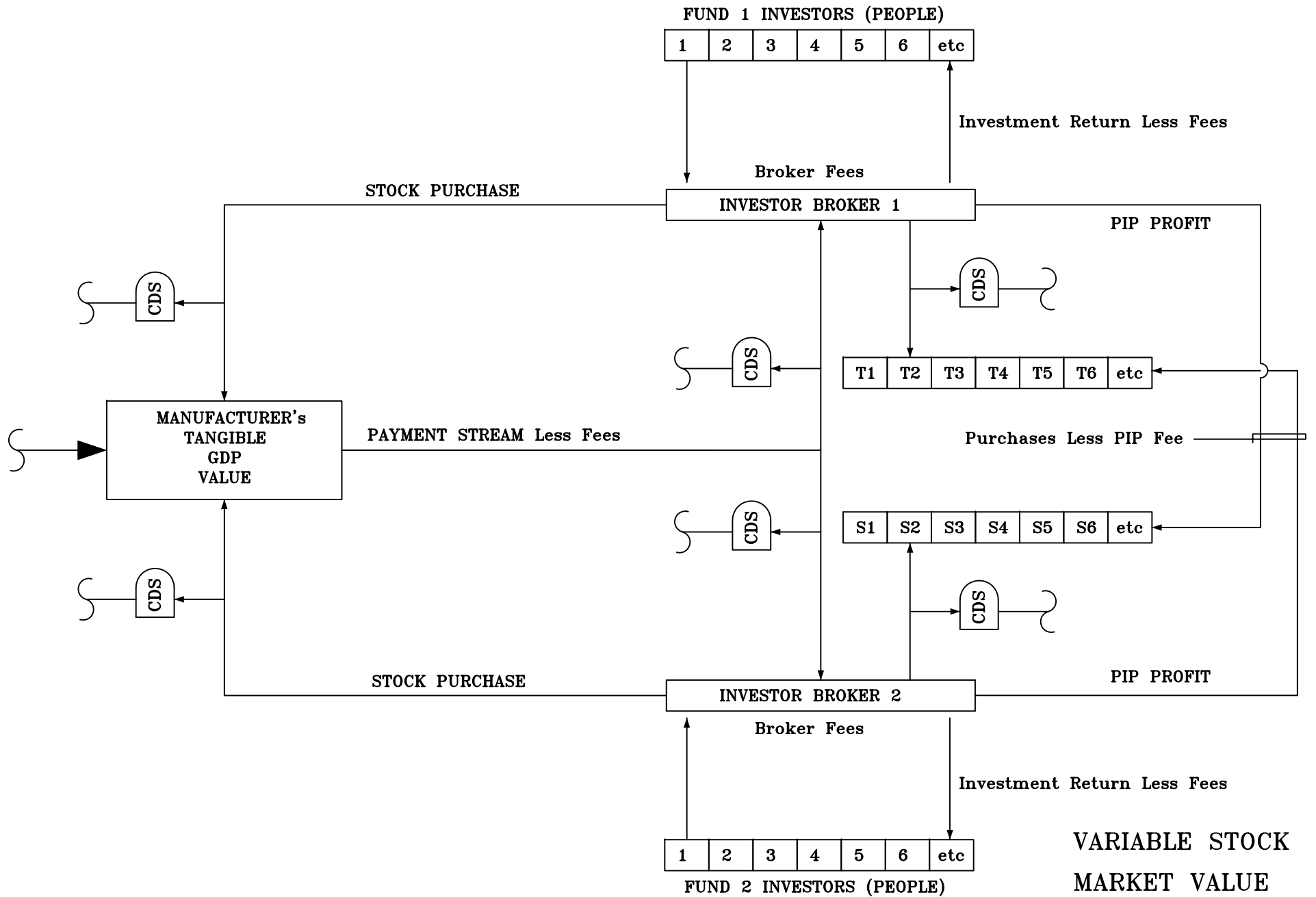
Primary to Secondary Mortgage Backed Security Market			
Ping Pong Tangible/Intangible PIP Profit			
USED ON	DATE	Post	Market 1 Primary
FOR	Traders	Present	Market 2 Secondary
DR.	Everybody	Hope Not Future	FILE: Criminal
SUPERSEDES	LAW's		Design: Jail Bars

**INTANGIBLE TANGIBLE SECURITY LESS PERFECTION**



GROSS DOMESTIC PRODUCT  
 TANGIBLE PRODUCTION VALUE  
 FIXED TANGIBLE VALUE

Primary Tangible Market v Intangible Account Receivable PIP Profit			
Ping Pong Tangible/Intangible PIP Profit			
USED ON People	DATE Past	<b>Product</b> <b>Tangible Products</b> <b>Tangible Account Receivables</b>	Market 1 Store
FOR Profit	Present		Market 2 Warehouse
DR. Everybody	Hope Not Future		Account Receivable
Greed			Page 1 of 2



**VARIABLE TANGIBLE VALUE**  
**INSURANCE-INSURANCE-INSURANCE-INSURANCE**

Primary Tangible Market v Intangible Account Recievable PIP Profit			
Ping Pong Tangible/Intangible PIP Profit			
USED ON People	DATE Past	<b>Product</b> <b>Tangible Products</b> <b>Tangible Account Recieables</b>	Market 1 Store
FOR Profit	Present		Market 2 Warehouse
OR Everybody	Hope Not Future		Account Recievable
Greed			Page 2 of 2